

Library Bookcases



It's all about choice: 1 Type of wood 2 Finish 3 Style 4 Size 5 Hardware

Fine Hardwoods Available

- CHY** - Cherry
- MAP** - Maple
- Oak** - Red Oak
- QS** - Quartersawn
(White Oak)
- AK** - Rustic Alder
- CK** - Rustic Cherry
- HK** - Rustic Hickory
- OK** - Rustic Oak

Styles Available

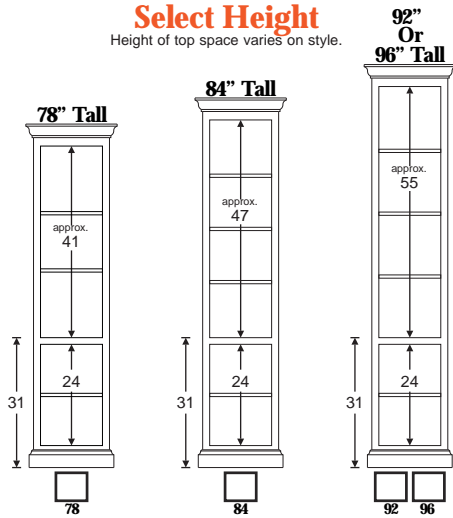
- D2** - Classic 2 (Use **D1** For **Open Base**)
- D5** - Craftsman 5 (Use **D4** For **Open Base**)
- D9** - Generations 9 (Use **D8** For **No Dentil Molding**)
- DM** - Madison 4 (Use **DN** For **No Flutting**)

Library Bookcases

See Bookcase Section For Information

Select Height

Height of top space varies on style.



Select Depth

(Cabinet Depth W/O Trim)

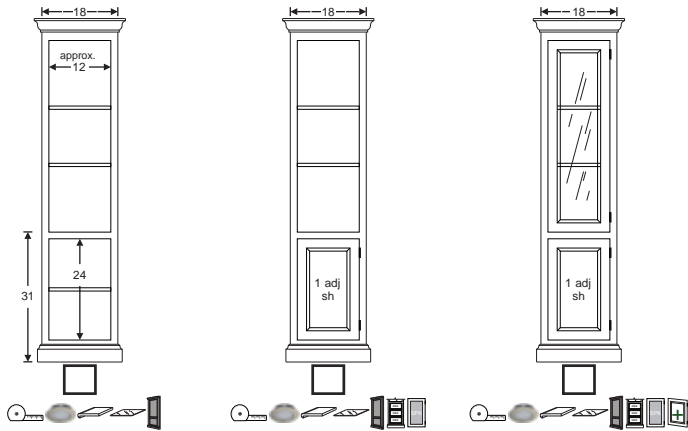
13" Deep

16" Deep

Select your Height & Depth, then look below to choose the configuration & any available options

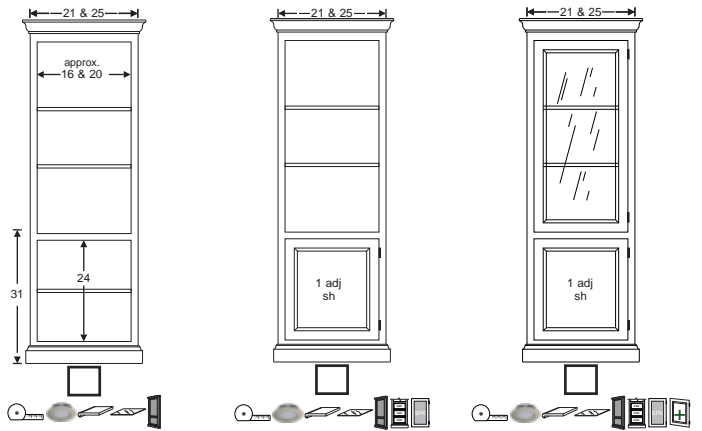
18" Wide (without trim)

Pieces shown 78" tall.



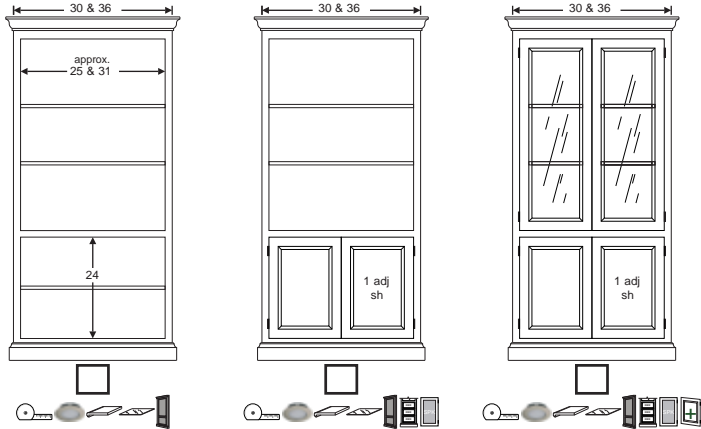
21" & 25" Wide (without trim)

Pieces shown 78" tall.



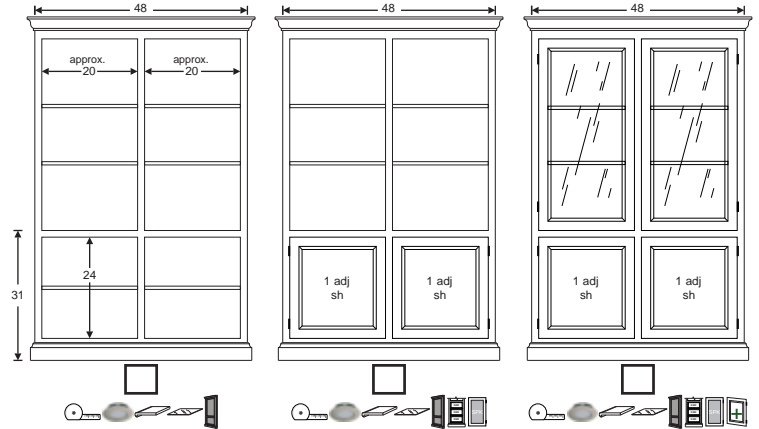
30" & 36" Wide (without trim)

Pieces shown 78" tall.



48" Wide (without trim)

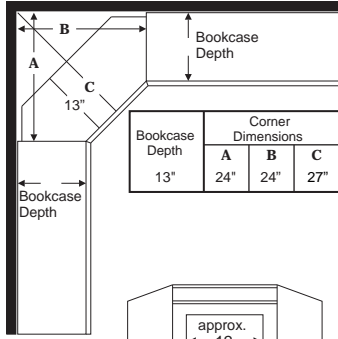
Pieces shown 78" tall.



ITEM #									ITEM #									ITEM #									ITEM #																	
WOOD	Cherry	Maple	Oak	OS Oak	Rustic Alder	Rustic Cherry	Rustic Hickory	Rustic Oak	Style									Color																Hardware	Door	Extras								
																																						QTY:						

Library Bookcase

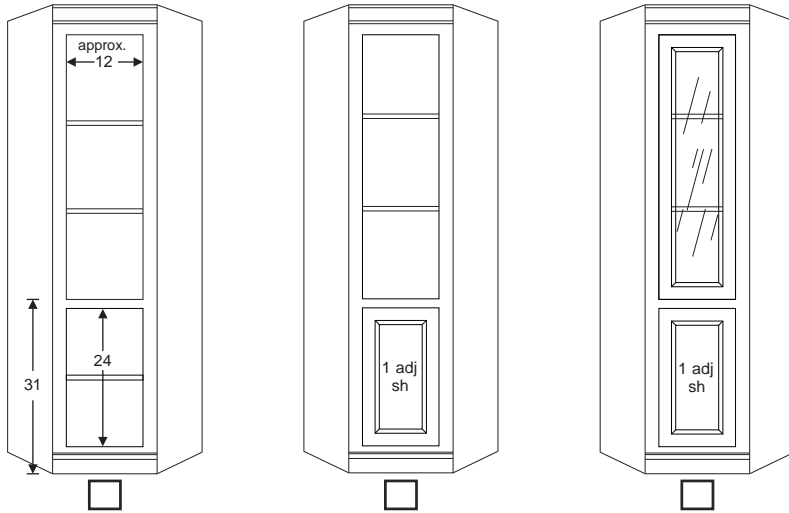
See Bookcase Section For Information



Corner Bookcases

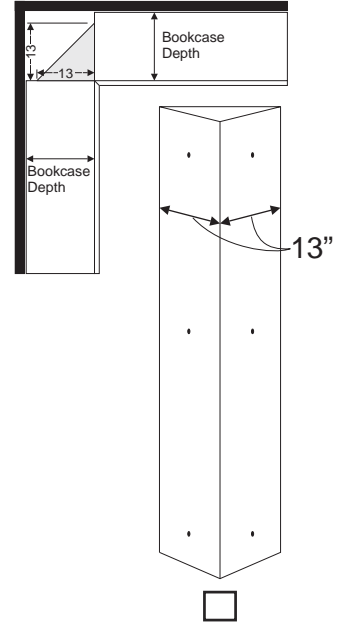
**16" Wide
(At The Front)
&
13" Deep**

Pieces shown 78" tall.



Corner Filler Unit

Can be attached to any unit



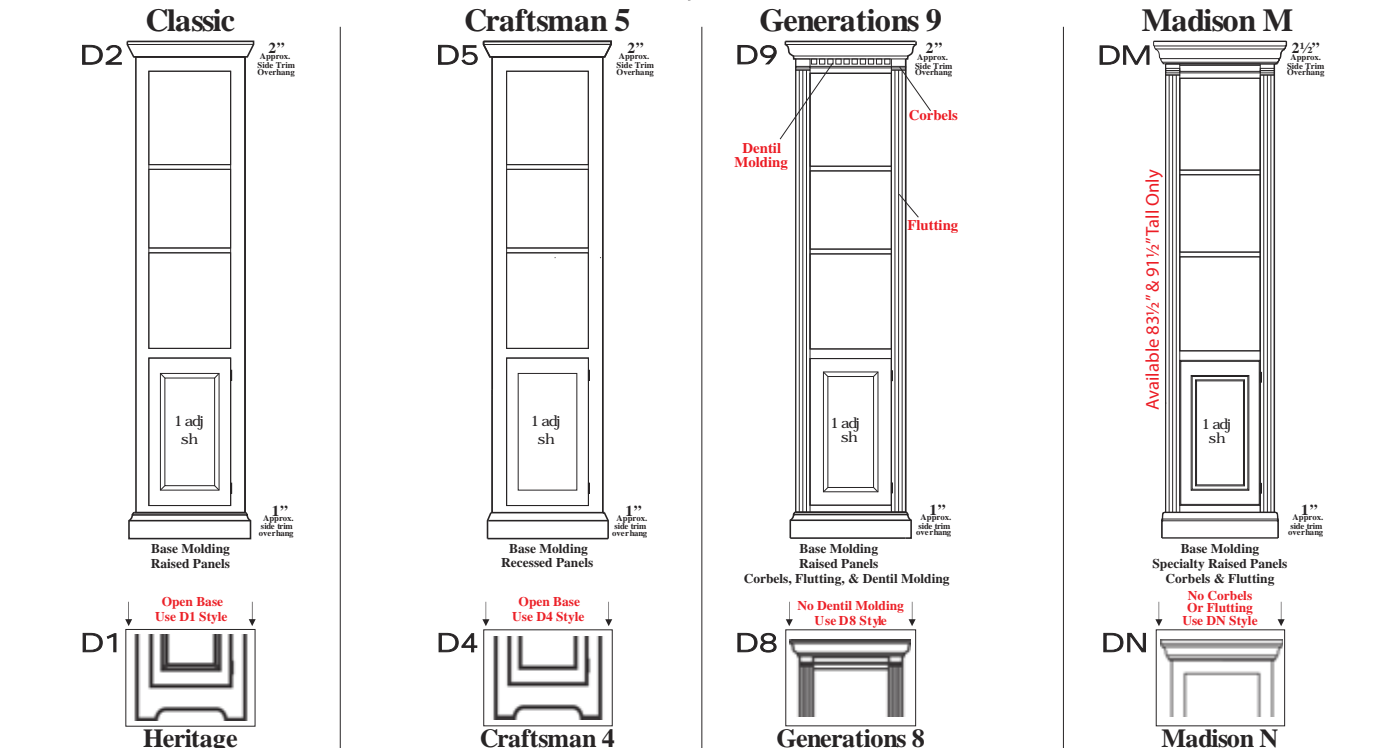
Options	
	3 Drawers In Place Of Bottom Door <input type="checkbox"/>
	Speaker Door <input type="checkbox"/>
	Wood Door <input type="checkbox"/>
	Paneled End <input type="checkbox"/>
	V-Groove Back <input type="checkbox"/>
	Glass Shelf <input type="checkbox"/>
	Wood Shelf <input type="checkbox"/>
	LED Lights (1-14) <input type="checkbox"/>
	Size Modification <input type="checkbox"/>

ITEM #					ITEM #					ITEM #					ITEM #
WOOD	Cherry	Maple	Oak	OS Oak	Rustic Alder	Rustic Cherry	Rustic Hickory	Rustic Oak	Style		Color		Door	Extras	
													Hardware		

Library Bookcases

See Bookcase Section For Information

Styles



BAV-730(GD)
(Shown in Oak with D8 Style & Paneled Ends)



BBV-730(OD)
(Shown in Two-Tone Oak & Maple With D2 Style)



BAV-725(GD)
(Shown in Maple with D2 Style)



BAV-830(DD)
(Shown in Oak with D2 Style)

Explore and make a style all your own with our Library Bookcase Program from Stuart David!

Our fine bookcases can be purchased as single, stand-alone units or in multiples to be connected to create an entire wall system. You choose how many you want and the configuration that works best for your space. Creating a custom look for your home or office has never been easier, or more fun!